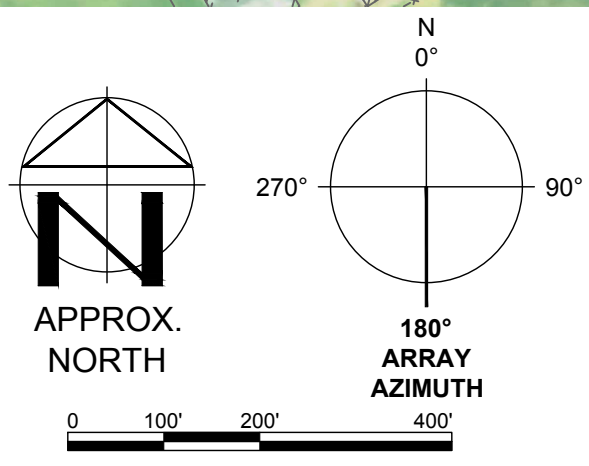


LEGEND

	WETLAND (USACE)
	WETLAND (NYDEC)
	WETLAND (ISOLATED)
	SURFACE WATER (USACE)
	SURFACE WATER (NYDEC)
	PANEL EXCLUSION AREA (PEA)
	SINGLE AXIS TRACKER
	INVERTER
	MV ROUTING
	UTILITY EASEMENT
	OVERHEAD UTILITY
	BORE PIT
	FENCE

PRELIMINARY
NOT FOR CONSTRUCTION



TRC 670 NORTH COMMERCIAL STREET SUITE 203
MANCHESTER, NH 03101

PROJECT NO: 443269

REFERENCE ITEMS	REV	DESCRIPTION	DATE	DES	CHK	APP
	C	ISSUED FOR 94-C	01/15/24	JAK	JTG	DVL
	B	ISSUED FOR REVIEW	09/01/23	JAK	JTG	DVL
	A	ISSUED FOR REVIEW	08/11/23	JAK	JTG	DVL



JAK DESIGNED	
JAK DRAWN	
JTG CHECKED	
DVL APPROVED	
REVIEW 1	
REVIEW 2	

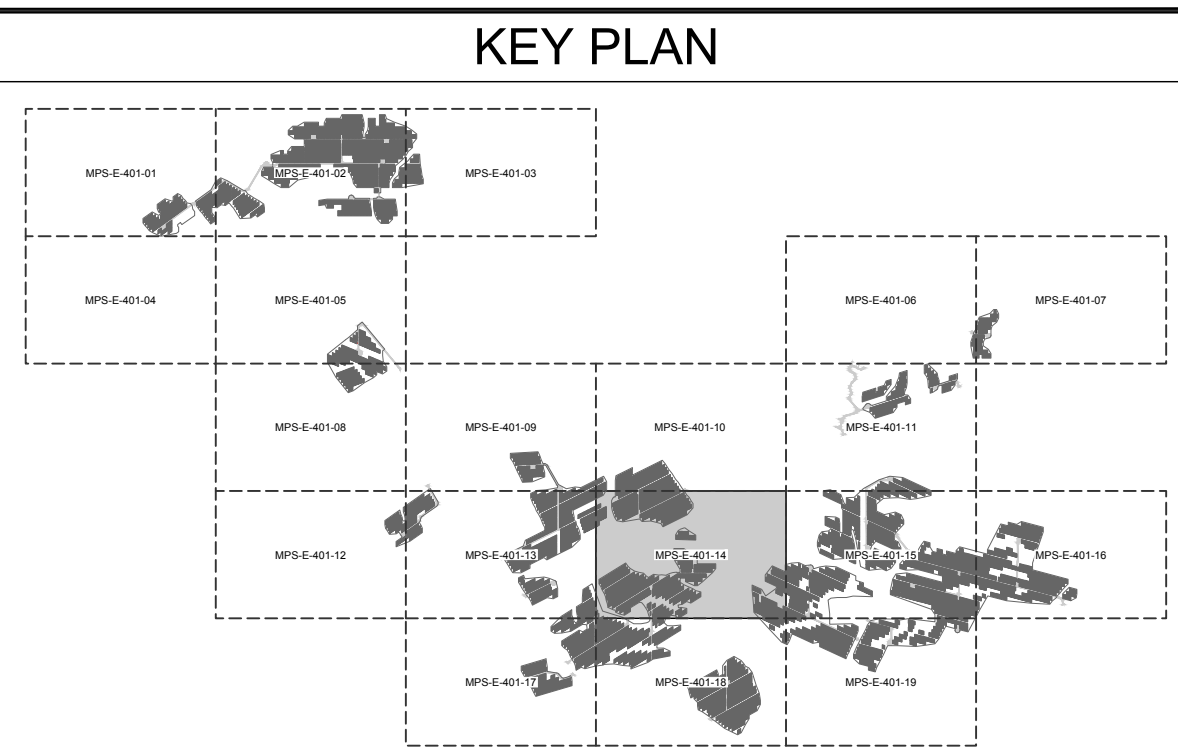
MILL POINT SOLAR I PROJECT
CONNECTGEN MONTGOMERY COUNTY LLC
ARRAY PLAN 13

GLEN NEW YORK

01/15/24
DATE AS NOTED
SCALE

TRC MPS-E-401-13

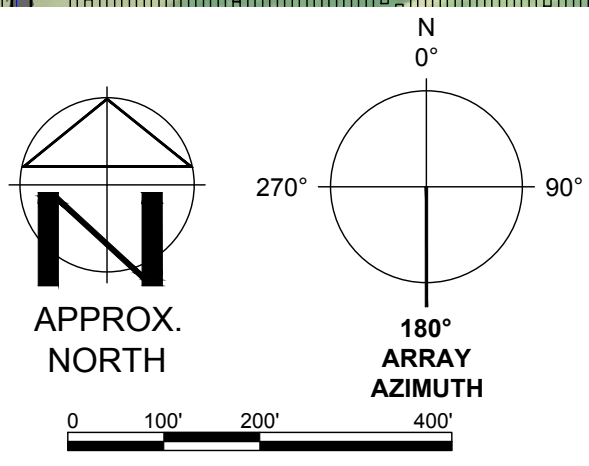
REV: C



LEGEND

	WETLAND (USACE)
	WETLAND (NYDEC)
	WETLAND (ISOLATED)
	SURFACE WATER (USACE)
	SURFACE WATER (NYDEC)
	PANEL EXCLUSION AREA (PEA)
	SINGLE AXIS TRACKER
	INVERTER
	MV ROUTING
	UTILITY EASEMENT
	OVERHEAD UTILITY
	BORE PIT
	FENCE

PRELIMINARY
NOT FOR CONSTRUCTION



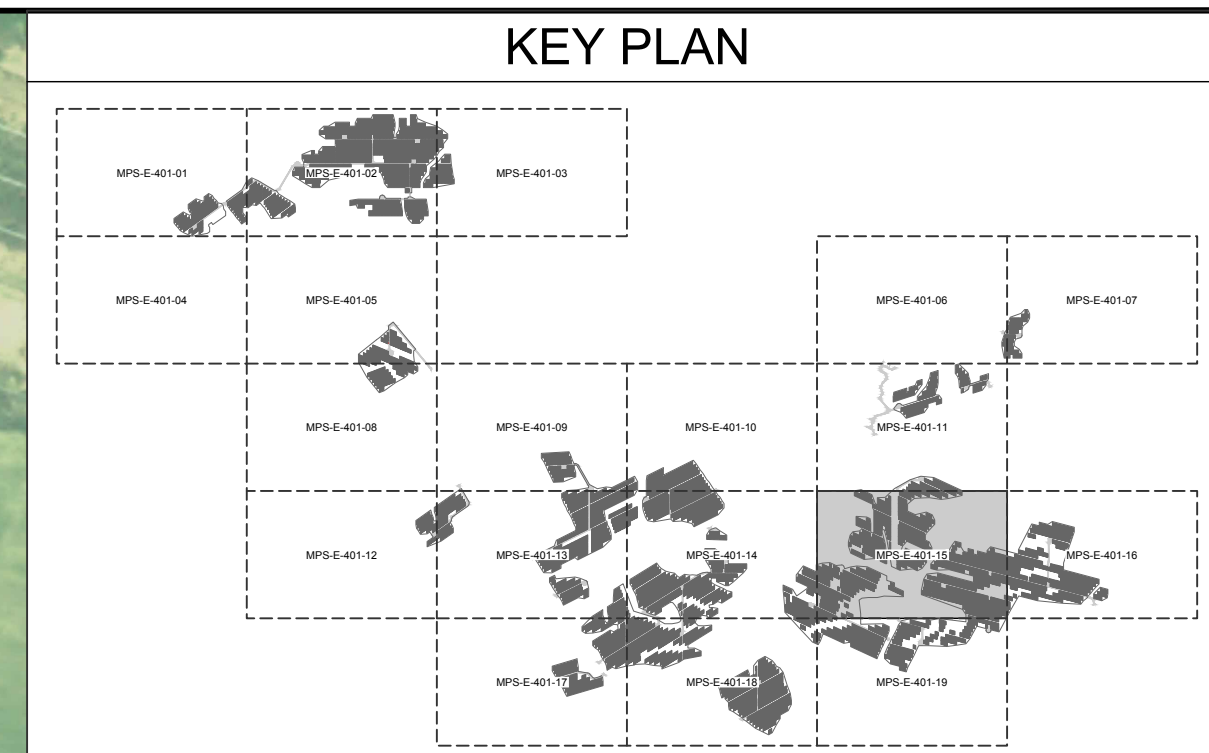
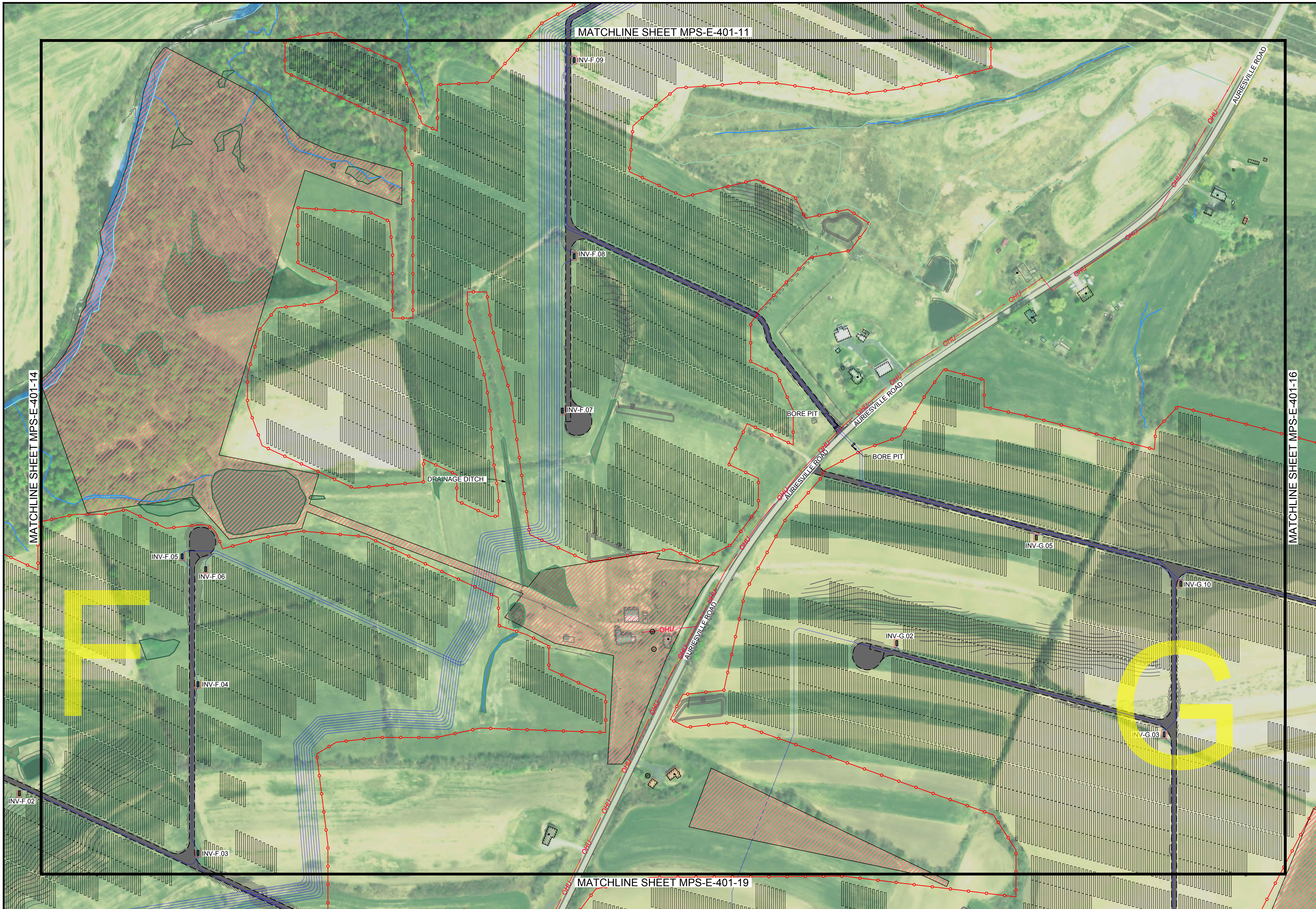
TRC 670 NORTH COMMERCIAL STREET SUITE 203
MANCHESTER, NH 03101

PROJECT NO: 443269

REFERENCE ITEMS	REV	DESCRIPTION	DATE	DES	CHK	APP
	C	ISSUED FOR 94-C	01/15/24	JAK	JTG	DVL
	B	ISSUED FOR REVIEW	09/01/23	JAK	JTG	DVL
	A	ISSUED FOR REVIEW	08/11/23	JAK	JTG	DVL



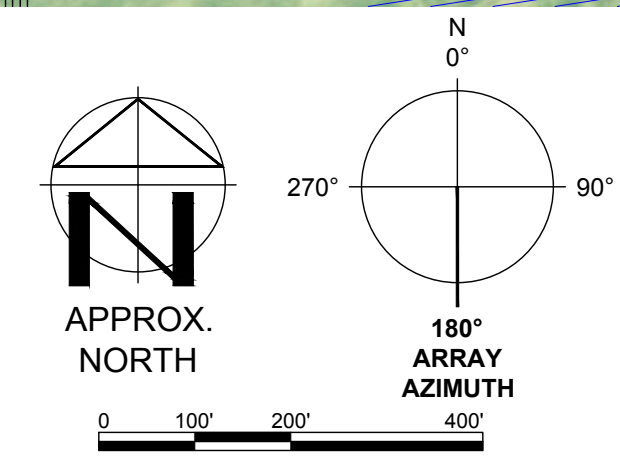
JAK DESIGNED	MILL POINT SOLAR I PROJECT CONNECTGEN MONTGOMERY COUNTY LLC ARRAY PLAN 14	NEW YORK		
JAK DRAWN				
JTG CHECKED				
DVL APPROVED				
GLEN				
REVIEW 1	01/15/24 DATE	TRC	MPS-E-401-14	REV: C
REVIEW 2	AS NOTED SCALE			



LEGEND

	WETLAND (USACE)
	WETLAND (NYDEC)
	WETLAND (ISOLATED)
	SURFACE WATER (USACE)
	SURFACE WATER (NYDEC)
	PANEL EXCLUSION AREA (PEA)
	SINGLE AXIS TRACKER
	INVERTER
	MV ROUTING
	UTILITY EASEMENT
	OVERHEAD UTILITY
	BORE PIT
	FENCE

PRELIMINARY
NOT FOR CONSTRUCTION



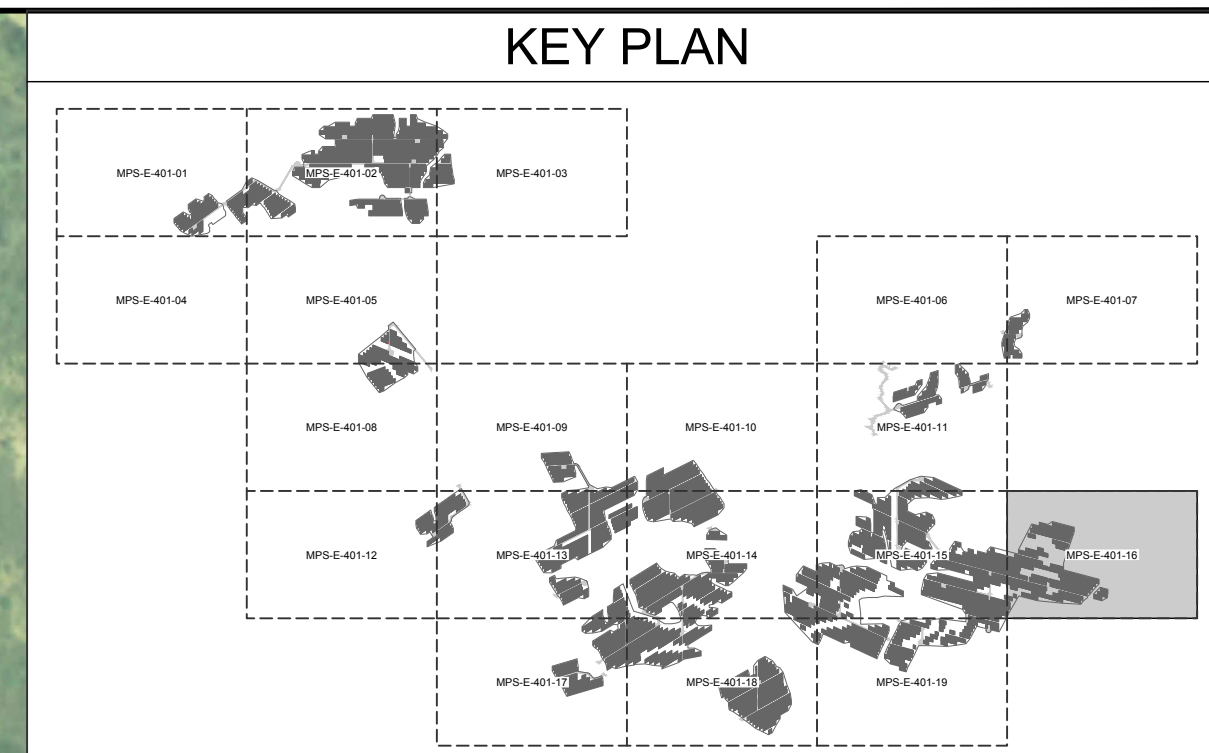
TRC 670 NORTH COMMERCIAL STREET SUITE 203
MANCHESTER, NH 03101

PROJECT NO: 443269

REFERENCE ITEMS	REV	DESCRIPTION	DATE	DES	CHK	APP
	C	ISSUED FOR 94-C	01/15/24	JAK	JTG	DVL
	B	ISSUED FOR REVIEW	09/01/23	JAK	JTG	DVL
	A	ISSUED FOR REVIEW	08/11/23	JAK	JTG	DVL



MILL POINT SOLAR I PROJECT CONNECTGEN MONTGOMERY COUNTY LLC ARRAY PLAN 15		NEW YORK	
GLEN	DATE: 01/15/24	TRC	MPS-E-401-15
REVIEW 1	AS NOTED SCALE		
REVIEW 2			REV: C



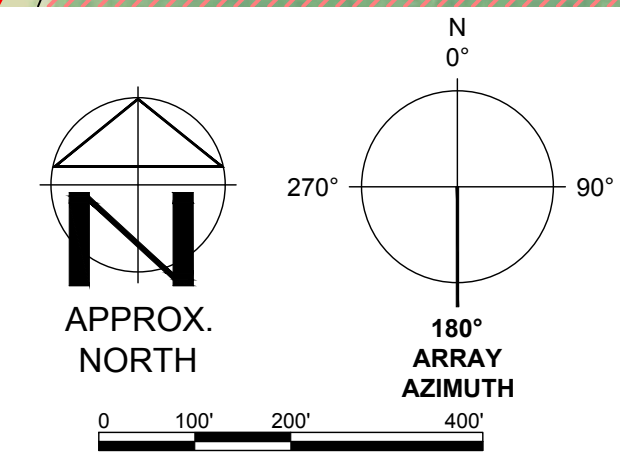
LEGEND

	WETLAND (USACE)
	WETLAND (NYDEC)
	WETLAND (ISOLATED)
	SURFACE WATER (USACE)
	SURFACE WATER (NYDEC)
	PANEL EXCLUSION AREA (PEA)
	SINGLE AXIS TRACKER
	INVERTER
	MV ROUTING
	UTILITY EASEMENT
	OVERHEAD UTILITY
	BORE PIT
	FENCE

NOTES:

1. NEW MV CIRCUITS CROSS CREEK AT AN ANGLE BECAUSE THEY HAVE TO CROSS TRANSMISSION EASEMENT PERPENDICULARLY.

PRELIMINARY
NOT FOR CONSTRUCTION



TRC 670 NORTH COMMERCIAL STREET SUITE 203
MANCHESTER, NH 03101

PROJECT NO: 443269

REFERENCE ITEMS	REV	DESCRIPTION	DATE	DES	CHK	APP
	C	ISSUED FOR 94-C	01/15/24	JAK	JTG	DVL
	B	ISSUED FOR REVIEW	09/01/23	JAK	JTG	DVL
	A	ISSUED FOR REVIEW	08/11/23	JAK	JTG	DVL



JAK DESIGNED
JAK DRAWN
JTG CHECKED
DVL APPROVED
REVIEW 1
REVIEW 2

MILL POINT SOLAR I PROJECT
CONNECTGEN MONTGOMERY COUNTY LLC
ARRAY PLAN 16

GLEN NEW YORK

DATE: 01/15/24
SCALE: AS NOTED

TRC MPS-E-401-16

REV: C

MATCHLINE SHEET MPS-E-401-13

KEY PLAN

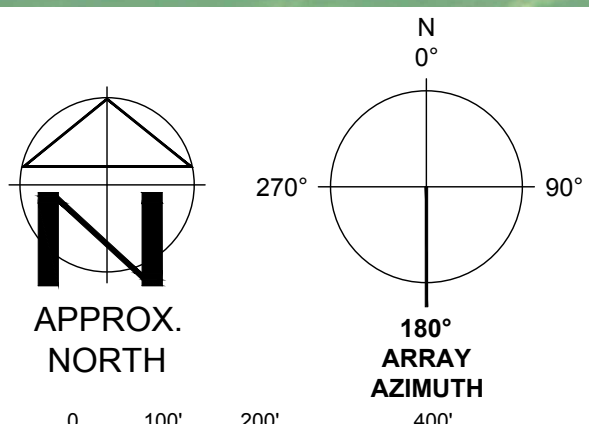


LEGEND

- WETLAND (USACE)
- WETLAND (NYDEC)
- WETLAND (ISOLATED)
- SURFACE WATER (USACE)
- SURFACE WATER (NYDEC)
- PANEL EXCLUSION AREA (PEA)
- SINGLE AXIS TRACKER
- INVERTER
- MV ROUTING
- UTILITY EASEMENT
- OHU
- BORE PIT
- FENCE



PRELIMINARY
NOT FOR CONSTRUCTION



TRC 670 NORTH COMMERCIAL STREET SUITE 203
MANCHESTER, NH 03101

PROJECT NO: 443269

REFERENCE ITEMS	REV	DESCRIPTION	DATE	DES	CHK	APP
	C	ISSUED FOR 94-C	01/15/24	JAK	JTG	DVL
	B	ISSUED FOR REVIEW	09/01/23	JAK	JTG	DVL
	A	ISSUED FOR REVIEW	08/11/23	JAK	JTG	DVL



JAK DESIGNED
JAK DRAWN
JTG CHECKED
DVL APPROVED
REVIEW 1
REVIEW 2

MILL POINT SOLAR I PROJECT
CONNECTGEN MONTGOMERY COUNTY LLC
ARRAT PLAN 17

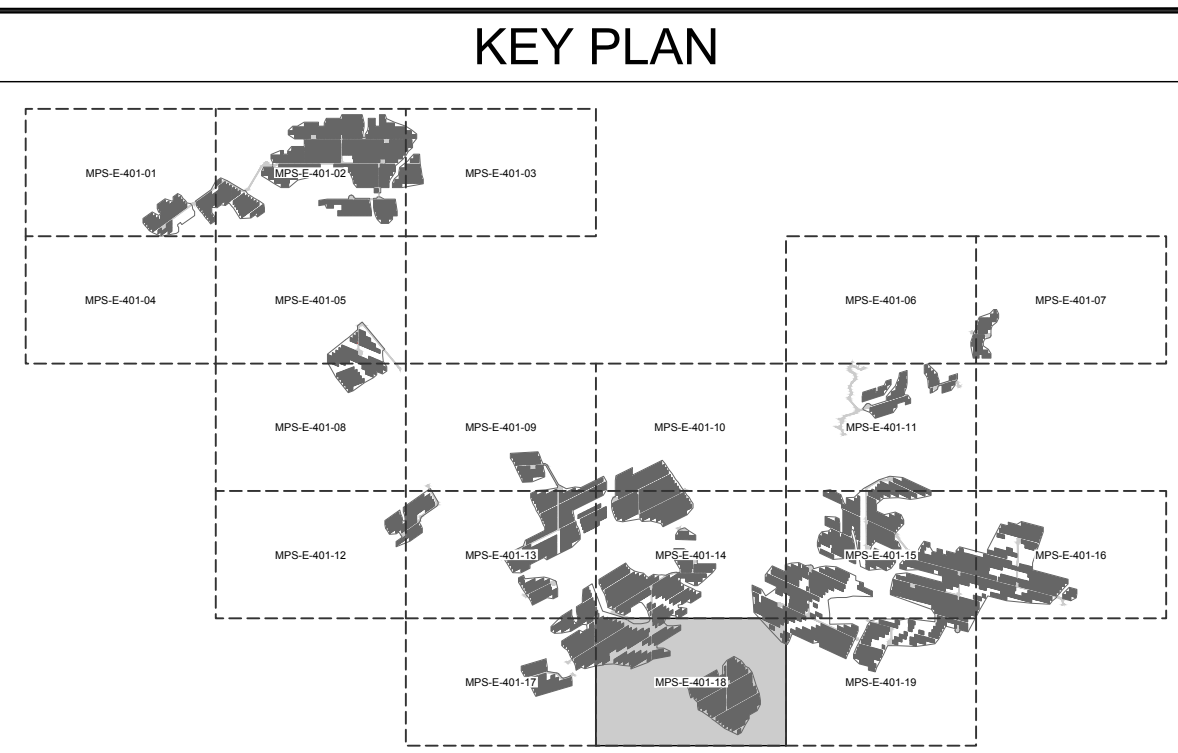
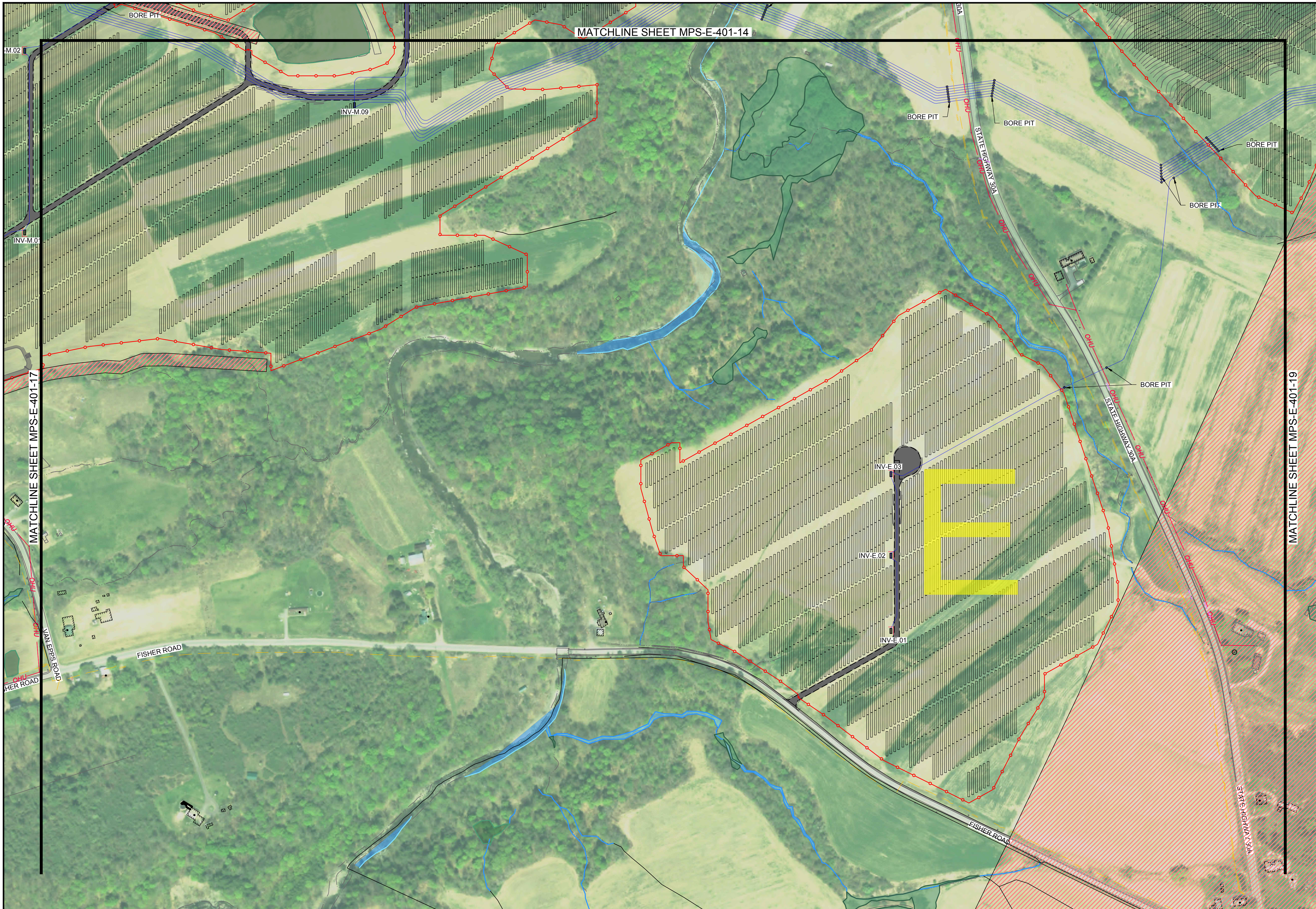
GLEN NEW YORK

01/15/24
DATE AS NOTED
SCALE

TRC MPS-E-401-17

REV: C

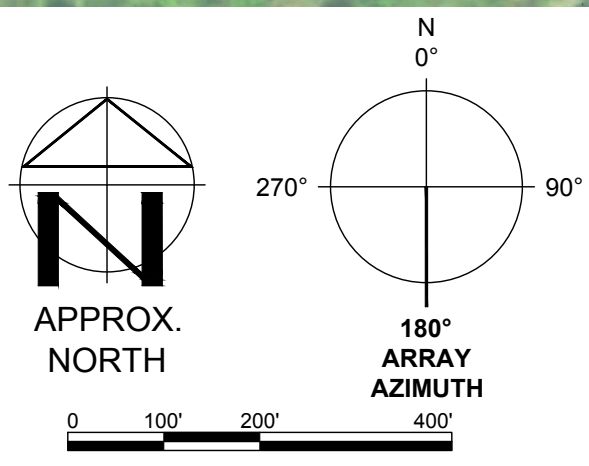
DATE: 01-12-2024
LIC. EXP.: 09-30-2026



LEGEND

	WETLAND (USACE)
	WETLAND (NYDEC)
	WETLAND (ISOLATED)
	SURFACE WATER (USACE)
	SURFACE WATER (NYDEC)
	PANEL EXCLUSION AREA (PEA)
	SINGLE AXIS TRACKER
	INVERTER
	MV ROUTING
	UTILITY EASEMENT
	OVERHEAD UTILITY
	BORE PIT
	FENCE

PRELIMINARY
NOT FOR CONSTRUCTION



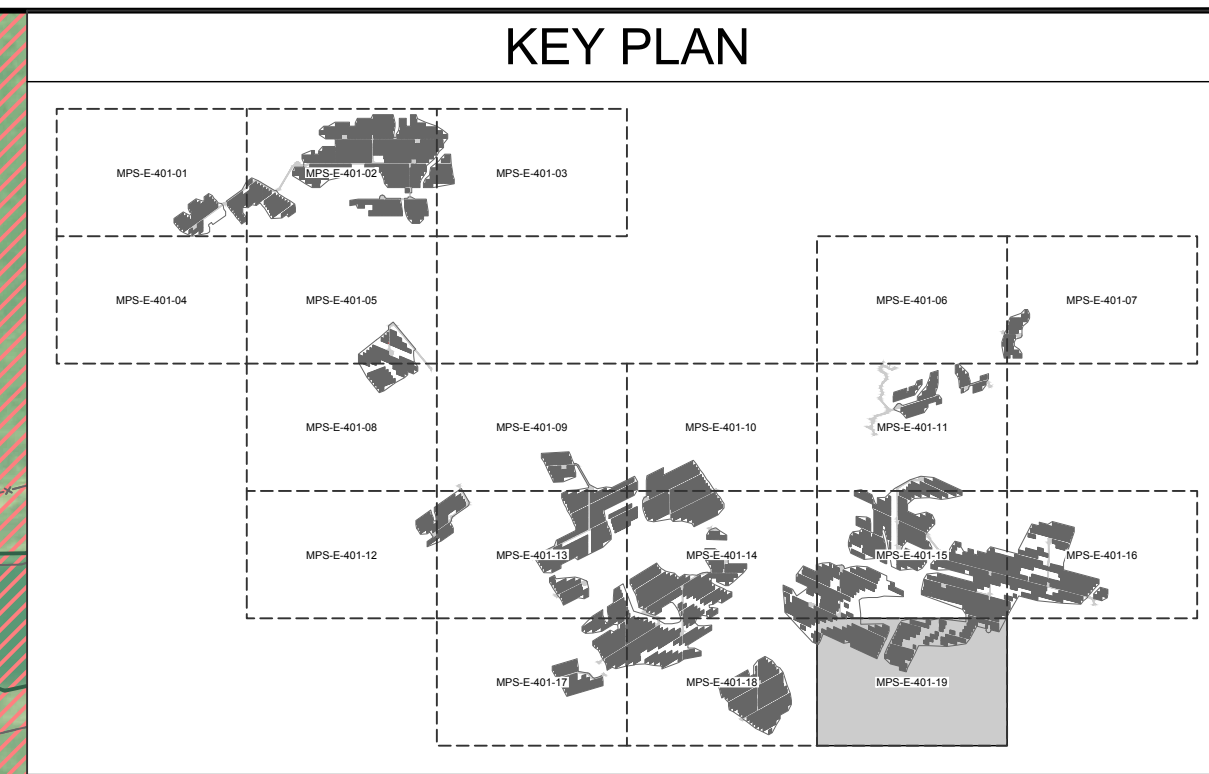
TRC 670 NORTH COMMERCIAL STREET SUITE 203
MANCHESTER, NH 03101

PROJECT NO: 443269

REFERENCE ITEMS	REV	DESCRIPTION	DATE	DES	CHK	APP
	C	ISSUED FOR 94-C	01/15/24	JAK	JTG	DVL
	B	ISSUED FOR REVIEW	09/01/23	JAK	JTG	DVL
	A	ISSUED FOR REVIEW	08/11/23	JAK	JTG	DVL



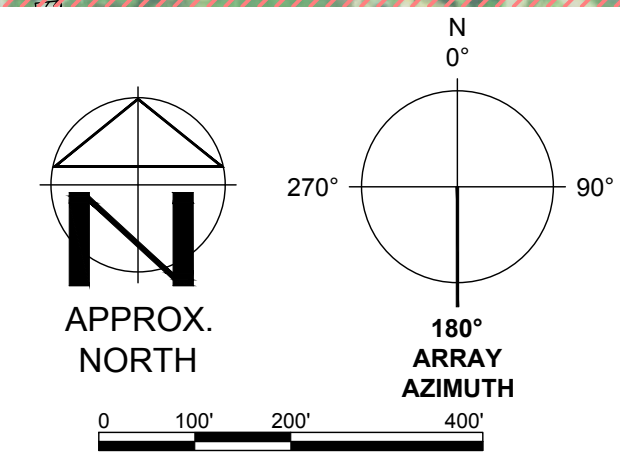
JAK DESIGNED	MILL POINT SOLAR I PROJECT CONNECTGEN MONTGOMERY COUNTY LLC ARRAY PLAN 18	GLEN NEW YORK		
JAK DRAWN				
JTG CHECKED				
DVL APPROVED				
REVIEW 1				
REVIEW 2	01/15/24 DATE AS NOTED SCALE		MPS-E-401-18	REV: C



LEGEND

	WETLAND (USACE)
	WETLAND (NYDEC)
	WETLAND (ISOLATED)
	SURFACE WATER (USACE)
	SURFACE WATER (NYDEC)
	PANEL EXCLUSION AREA (PEA)
	SINGLE AXIS TRACKER
	INVERTER
	MV ROUTING
	UTILITY EASEMENT
	OVERHEAD UTILITY
	BORE PIT
	FENCE

PRELIMINARY
NOT FOR CONSTRUCTION



TRC 670 NORTH COMMERCIAL STREET SUITE 203
MANCHESTER, NH 03101

PROJECT NO: 443269

REFERENCE ITEMS	REV	DESCRIPTION	DATE	DES	CHK	APP
	C	ISSUED FOR 94-C	01/15/24	JAK	JTG	DVL
	B	ISSUED FOR REVIEW	09/01/23	JAK	JTG	DVL
	A	ISSUED FOR REVIEW	08/11/23	JAK	JTG	DVL



JAK DESIGNED
JAK DRAWN
JTG CHECKED
DVL APPROVED
REVIEW 1
REVIEW 2

MILL POINT SOLAR I PROJECT
CONNECTGEN MONTGOMERY COUNTY LLC
ARRAY PLAN 19

GLEN NEW YORK

DATE: 01/15/24
SCALE: AS NOTED

TRC MPS-E-401-19